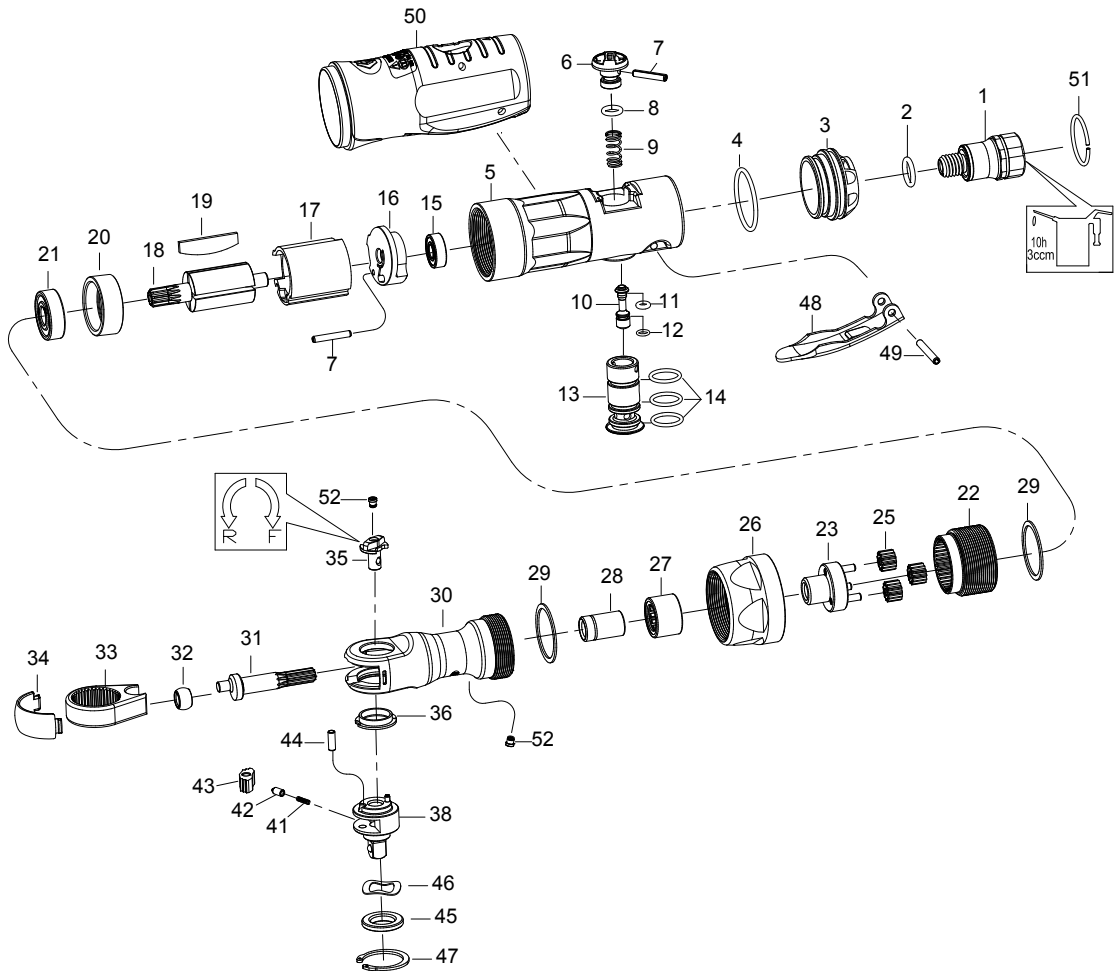


1/4" DR. RATCHET WRENCH



NO.37221-030
37221-031



INDEX NO.	KT No.	DESCRIPTION	REQ'D NO.	INDEX NO.	KT No.	DESCRIPTION	REQ'D NO.
1	037221-A01	Air Inlet (for 19 BSPT)	1	27	037221-A27	Needle Bearing	1
1A	037221-A01A	Air Inlet (for 18 NPT)	1	28	037221-A28	Bushing	1
2	037221-A02	O-Ring	1	29	037221-A29	Spacer	2
3	037221-A03	Exhaust Deflector	1	★ 30	037221-A30	Ratchet Housing Assembly (incl. 52)	1
4	037221-A04	O-Ring	1	31	037221-A31	Crank shaft	1
5	037221-A05	Motor Housing	1	32	037221-A32	Drive Bushing	1
6	037221-A06	Air Regulator	1	33	037221-A33	Ratchet Yoke	1
7	037221-A07	Pin	2	34	037221-A34	Ratchet Housing Cover	1
8	037221-A08	O-Ring	1	★ 35	037221-A35	Reverse Knob Assembly (incl. 52)	1
9	037221-A09	Spring	1	36	037221-A36	Thrust Washer	1
10	037221-A10	Throttle Valve Plunger	1	38	037221-A38	Ratchet Anvil Assembly	1
11	037221-A11	O-Ring	1	41	037221-A41	Ratchet Spring	1
12	037221-A12	O-Ring	1	42	037221-A42	Ratchet Lock Pin	1
13	037221-A13	Power Regulator	1	43	037221-A43	Ratchet Pawl	1
14	037221-A14	O-Ring	3	44	037221-A44	Pawl Retaining Pin	1
15	037221-A15	Bearing	1	45	037221-A45	Thrust Washer	1
16	037221-A16	End Plate	1	46	037221-A46	Wave Washer	1
17	037221-A17	Cylinder	1	47	037221-A47	Retaining Ring	1
18	037221-A18	Rotor	1	48	037221-A48	Trigger	1
19	037221-A19	Rotor Blade	4	49	033851-B14	Pin	1
20	037221-A20	End Plate	1	50	037221-A50	Rubber Grip	1
21	037221-A21	Bearing	1	51	037221-A51	Retainer	1
22	037221-A22	Ring Gear	1	● 52	037221-A52	Grease Fitting	2
23	037221-A23	Work Spindle Assembly	1	TK-01	037221-ATK1	Ratchet Anvil Assembly (incl. 35.38.41.42.43.44.52)	1
25	037221-A25	Planet Gear	3	TK	037221-ATK	Tune-Up Kit (incl. 2.4.8.9.11.12.14 (3))	1
26	037221-A26	Coupling Nut	1				

★ Must be purchased in assembly set

● Recommended not to be purchased set alone due to assembly difficulty

20131206R3

Air Pressure : 6.2 Bar (90 PSI)

Inspec. Item No.	Square drive	Std. Bolt Size		Free Speed	MAX. Torque		Overall Length		Air Inlet	Air Hose	Avg. Air Consumption		Net Weight		Sound Pressure Level A-weighted	Sound Power Level A-weighted	Sound Pressure Valve Peak C-weighted	Vib. M/S2
	inch	inch	mm	R.P.M	ft-lb	N.m	inch	mm	BSPT/NPT	ID	cfm	l/min	lbs	kgs				
37221-030	1/4	1/4	M6	250	30	41	8-1/16	205	1/4" BSPT	3/8	2.8	79	1.48	0.67	86.00	97.00	88.00	2.32
37221-031	1/4	1/4	M6	250	30	41	8-1/16	205	1/4" NPT	3/8	2.8	79	1.48	0.67	86.00	97.00	88.00	2.32

8937221030-KT

192x288mm

