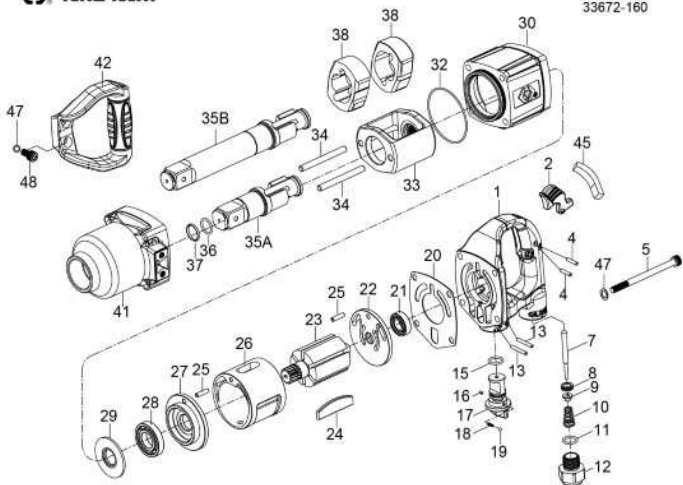


# 3/4" DR. IMPACT WRENCH



NO.33671-160  
33672-160



INDEX NO.	KT No.	DESCRIPTION	REQ'D NO.	INDEX NO.	KT No.	DESCRIPTION	REQ'D NO.
★ 1	033671-A01	Backhead Assembly (incl. 8 )	1	27	033671-A27	End Plate	1
2	033661-A02	Trigger	1	28	033631-C27	Bearing	1
4	033421-A09	Pin	2	29	033631-C35	Washer	1
5	033661-A05	Screw	4	30	033671-A30	Housing	1
7	033661-A07	Throttle Valve Plunger	1	32	033671-A32	O-Ring	1
● 8	033812-A02A	Throttle Valve Seat	1	33	033671-A33	Hammer Frame	1
9	033812-A04	Throttle Valve	1	34	033671-A34	Hammer Pin	2
10	033812-A05	Spring	1	35A	033671-A35A	Standard Anvil (for 33671-160 )	1
11	033812-A06	O-Ring	1	35B	033671-A35B	8" Extended Anvil (for 33672-160 )	1
12	033812-A10B	Air Inlet	1	36	033671-A36	O-Ring	1
13	033812-A14	Pin	2	37	033611-A44	Socket Retainer	1
15	033812-A08	O-Ring	1	38	033671-A38	Hammer	2
16	033812-A20	Pin	1	41	033671-A41	Hammer Case Assembly	1
17	033912-A17	Reverse Valve	1	42	033661-A42	Side Spade Handle	1
18	033411-A14	Spring	1	45	033661-A45	Rubber Cap	1
19	033812-A18	Steel Ball	1	47	033812-A44A	Washer	6
20	033671-A20	Gasket	1	48	033661-A48	Screw	2
● 21	033411-B24	Bearing	1	TK-01	033671-ATK1	End Plate Assembly (incl. 22,25 )	
★ 22	033671-A22	End Plate Assembly (incl. 21 )	1	TK-02	033671-ATK2	End Plate Assembly (incl. 25,27,28 )	
23	033671-A23	Rotor	1	TK-03	033671-ATK3	Standard Anvil Assembly (incl. 35A,36,37 )	
24	033671-A24	Rotor Blade	6	TK-04	033671-ATK4	8" Extended Anvil Assembly (incl. 35B,36,37 )	
25	033661-A25	Pin	2	TK	033671-ATK	Tune-Up Kit (incl. 10,11,15,18,19,20,24 ( 6 ) , 32,36,37 )	
28	033671-A28	Cylinder	1				

★ Must be purchased in assembly set

● Recommended not to be purchased alone due to assembly difficulty

20140124RC

Impac. Item No.	Square Drive	Std. Bolt Size	Free Speed	MAX. Torque	Overall Length	Air Inlet	Air Inlet Size	Avg/Air Consumption	Net Weight	Sound Pressure Level A-weighted	Sound Power Level A-weighted	Vib. Weighted	MSD					
	mm		mm	Nm	mm	mm	mm	cm <sup>3</sup> /min	kg	dB(A)	dB(A)	m/s <sup>2</sup>						
33671-160	3/4	1.5x1.6	M30	6500	1600	2170	12-12	318	1/2" BSP	3/4	6.5	241	12.57	5.70	105.00	116.00	122.00	15.40
33672-160	3/4	1.5x1.6	M30	6500	1600	2170	16-16A	465	1/2" BSP	3/4	6.5	241	14.11	6.40	106.00	117.00	121.00	15.80



# KING TONY

## KING TONY TOOLS CO., LTD.

No. 11, Alley 160, Lane 616, Sec. 2, Hsi Nan Rd.,  
Wu-Jih Dist., Taichung City, Taiwan, R.O.C.  
Tel : 886-4-2336-3667 Fax : 886-4-2336-3642

EC DECLARATION OF CONFORMITY  
FOR NON-ANNEX IV MACHINERY  
IN ACCORDANCE WITH  
MACHINERY SAFETY DIRECTIVES

2006 / 42 / EC

## IMPACT WRENCH OPERATOR'S INSTRUCTION

This impact wrench has the CE approval

WE, KING TONY TOOLS CO., LTD. HEREBY CERTIFY THAT THE MACHINERY DESCRIBED BELOW CONFORMS WITH THE ESSENTIAL HEALTH AND SAFETY REQUIREMENTS OF MACHINERY SAFETY DIRECTIVES 2006/42/EC ON THE APPROXIMATION OF THE LAWS OF THE MEMBER STATES RELATING TO THE SAFETY OF MACHINERY,

## IMPACT WRENCH

33671-160

33672-160

AND COMPLY WITH THE PROVISIONS SET OUT IN THE FOLLOWING EUROPEAN STANDARD:

ISO 12100:2010 (RISK ASSESSMENT & RISK REDUCTION)

ISO 11146-6:2012 (SAFETY REQUIREMENTS)

ISO 16744:2002 (NOISE LEVEL)

ISO 28927-2:2009 (VIBRATION LEVEL)



DATE OF ISSUE: 7<sup>th</sup> January 2014

NAME: Lin Hsien-Wen

POSITION/TITLE: General manager

SIGNATURE: *Lin Hsien-Wen*