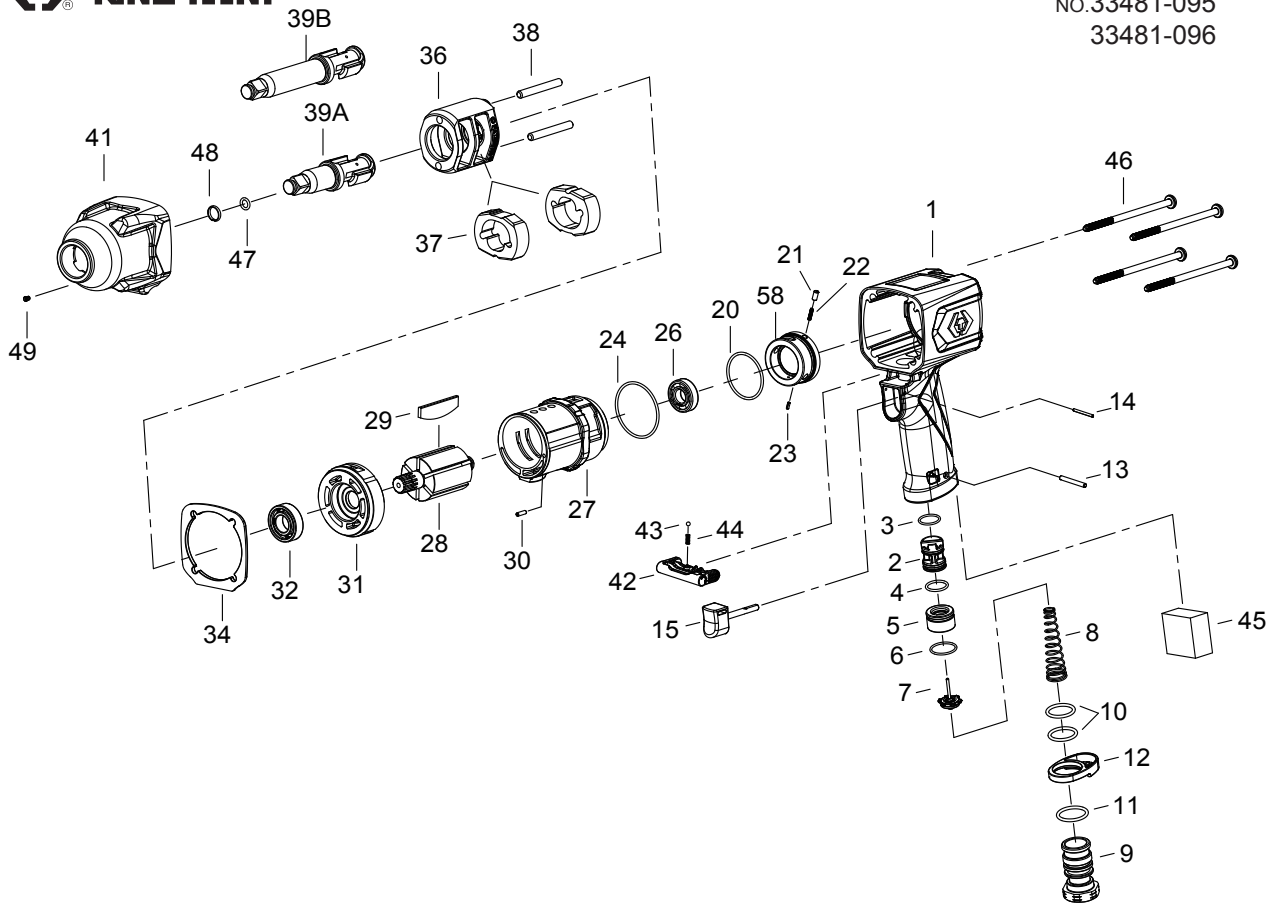


1/2" DR. IMPACT WRENCH



NO.33481-095
33481-096



| INDEX NO. | KT No. | DESCRIPTION | REQ'D NO. | INDEX NO. | KT No. | DESCRIPTION | REQ'D NO. |
|-----------|-------------|---------------------------|-----------|-----------|-------------|--|-----------|
| 1 | 033481-A01 | Motor Housing | 1 | 30 | 033481-A30 | Spring Pin | 1 |
| 2 | 033481-A02 | Reverse Valve | 1 | 31 | 033481-A31 | End Plate | 1 |
| 3 | 033481-A03 | O-Ring | 1 | 32 | 033411-B24 | Ball Bearing | 1 |
| 4 | 033481-A04 | O-Ring | 1 | 34 | 033481-A34 | Gasket | 1 |
| 5 | 033481-A05 | Throttle Valve Seat | 1 | 36 | 033411-B34 | Hammer Frame | 1 |
| 6 | 033812-A48 | O-Ring | 1 | 37 | 033411-A37 | Hammer | 2 |
| 7 | 033631-C03 | Throttle Valve Assembly | 1 | 38 | 033411-A35 | Hammer Pin | 2 |
| 8 | 033481-A08 | Spring | 1 | 39A | 033411-B43A | Standard Anvil (for 33481-095) | 1 |
| 9 | 033481-A09 | Air Inlet (for 19 BSPT) | 1 | 39B | 033411-B43B | 2" Extended Anvil (for 33482-095) | 1 |
| 9A | 033481-A09A | Air Inlet (for 18 NPT) | 1 | ★ 41 | 033481-A41 | Hammer Case Assembly (incl.49) | 1 |
| 10 | 033481-A10 | O-Ring | 2 | 42 | 033481-A42 | Reverse Knob | 1 |
| 11 | 033481-A11 | O-Ring | 1 | 43 | 033411-A13 | Steel Ball | 1 |
| 12 | 033481-A12 | Exhaust Deflector | 1 | 44 | 033351-A21 | Steel Ball Spring | 1 |
| 13 | 033351-A13 | Spring Pin | 1 | 45 | 033481-A45 | Muffler Element | 1 |
| 14 | 033481-A14 | Spring Pin | 1 | 46 | 033481-A46 | Screw | 4 |
| 15 | 033481-A15 | Trigger Assembly | 1 | 47 | 033411-A45 | O-Ring | 1 |
| 20 | 033481-A20 | O-Ring | 1 | 48 | 033411-A44 | Socket Retainer | 1 |
| 21 | 033481-A21 | Pin | 1 | ● 49 | 037221-A52 | Grease Fitting | 1 |
| 22 | 033481-A22 | Spring | 1 | 58 | 033481-A58 | Reverse Valve Knob | 1 |
| 23 | 033481-A23 | Spring Pin | 1 | TK1 | 033481-ATK1 | Front End Plate Assembly (incl.31.32) | |
| 24 | 033481-A24 | O-Ring | 1 | TK2 | 033481-ATK2 | Cylinder Assembly (incl.27.30) | |
| 26 | 033481-A26 | Ball Bearing | 1 | TK3 | 033411-BTK3 | Standard Anvil Assembly (incl.39A.47.48) | |
| 27 | 033481-A27 | | 1 | TK4 | 033411-BTK4 | 2" Extended Anvil Assembly (incl.39B.47.48) | |
| 28 | 033481-A28 | Rotor | 1 | TK | 033481-ATK | Tune-Up Kit (incl.3.4.6.8.10 (2).11.20.22.24.29 (6).34.43.44.45.47.48) | |
| 29 | 033481-A29 | Rotor Blade | 6 | | | | |

★ Must be purchased in assembly set

20160102R1

● Recommended not to be purchased alone due to assembly difficulty

Air Pressure : 6.2 Bar (90 PSI)

| Inspec. Item No. | Square drive | | Std. Bolt Size | | Free Speed | MAX. Torque | | Overall Length | | Air Inlet | Air Hose | Avg. Air Consumption | | Net Weight | | Sound Pressure Level A-weighted | Sound Power Level A-weighted | Sound Pressure Valve Peak C-weighted | Vib. M/S2 |
|---------------------|--------------|-----|----------------|------|------------|-------------|--------|----------------|-----------|-----------|----------|----------------------|-------|------------|-------|---------------------------------|------------------------------|--------------------------------------|-----------|
| | inch | mm | inch | mm | R.P.M | ft-lb | N.m | inch | mm | BSPT/NPT | ID | cfm | l/min | lbs | kgs | | | | |
| 33481-095 | 1/2 | M24 | 1 | 8000 | 950 | 1288 | 7-3/4" | 197 | 1/4" BSPT | 3/8 | 6.7 | 190 | 4.96 | 2.25 | 96.00 | 107.00 | 124.00 | 8.10 | |
| 33481-096 | 1/2 | M24 | 1 | 8000 | 950 | 1288 | 7-3/4" | 197 | 1/4" NPT | 3/8 | 6.7 | 190 | 4.96 | 2.25 | 96.00 | 107.00 | 124.00 | 8.10 | |

