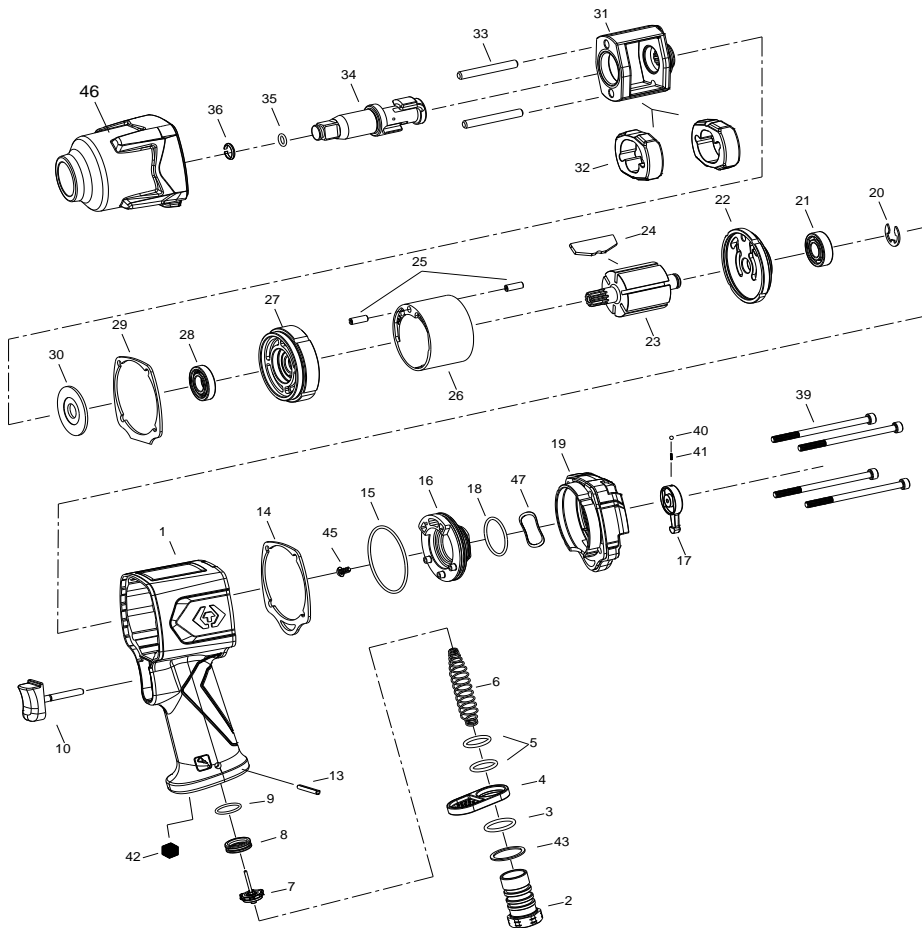


1/2" DR. SUPER DUTY AIR IMPACT WRENCH



ITEM NO. 33461-100



INDEX NO.	KT. NO	DESCRIPTION	REQ'D NO.	INDEX NO.	KT. NO	DESCRIPTION	REQ'D NO.
1	033461-B01	Motor Housing Assembly	1	26	033461-B26	Cylinder	1
2	033461-B02	Air Inlet(PT 19)	1	27	033461-B27	Front End Plate	1
2	033461-B02A	Air Inlet(NPT 18)	1	28	033411-A24	Ball Bearing	1
3	033351-A11	O-Ring	1	29	033461-B29	Gasket	1
4	033461-B04	Exhaust Deflector	1	30	033411-A36	Washer	1
5	033461-B05	O-Ring	2	31	033461-B31	Hammer Frame	1
6	033411-A04	Spring	1	32	033411-A37	Hammer	2
7	033631-C03	Throttle Valve Assembly	1	33	033411-A35	Hammer Pin	2
8	033631-C05	Throttle Valve Seat	1	34	033461-B34	Standard Anvil	1
9	033461-B09	O-Ring	1	35	033411-A45	O-Ring	1
10	033461-B10	Trigger Assembly	1	36	033411-A44	Socket Retainer	1
13	033351-A13	Spring Pin	1	39	033461-B39	Screw	4
14	033461-B14	Gasket	1	40	033411-A13	Steel Ball	1
15	033461-B15	O-Ring	1	41	033351-A21	Spring	1
16	033461-B16	Reverse Valve	1	42	033481-A45	Muffler Element	1
17	033461-B17	Reverse Knob	1	43	033461-B43	Spacer	1
18	033491-A31	O-Ring	1	45	033461-B45	Screw	1
19	033461-B19	Backhead	1	46	033461-B46	Hammer Case Assembly	1
20	033411-A25	Retainer	1	47	033461-B47	Washer	1
21	033411-A23	Ball Bearing	1	TK1	033461-BTK1	Standard Anvil Assembly (incl.34.35.36)	
22	033461-B22	Rear End Plate	1	TK2	033461-BTK2	Rear End Plate Assembly (incl.21.22)	
23	033411-A22	Rotor	1	TK3	033461-BTK3	Front End Plate Assembly (incl.27.28)	
24	033411-A29	Rotor Blade	6	TK	033461-BTK	Tune-Up Kit { incl.3.5 (2).6.9.14.15.18.24 (6) .29.	
25	033812-A29A	Spring Pin	2				

★ Must be Purchased in Assembly Set

● Recommended not to be purchased alone due to assembly difficulty

20190606R1